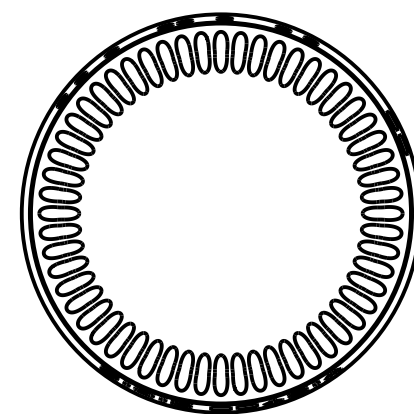
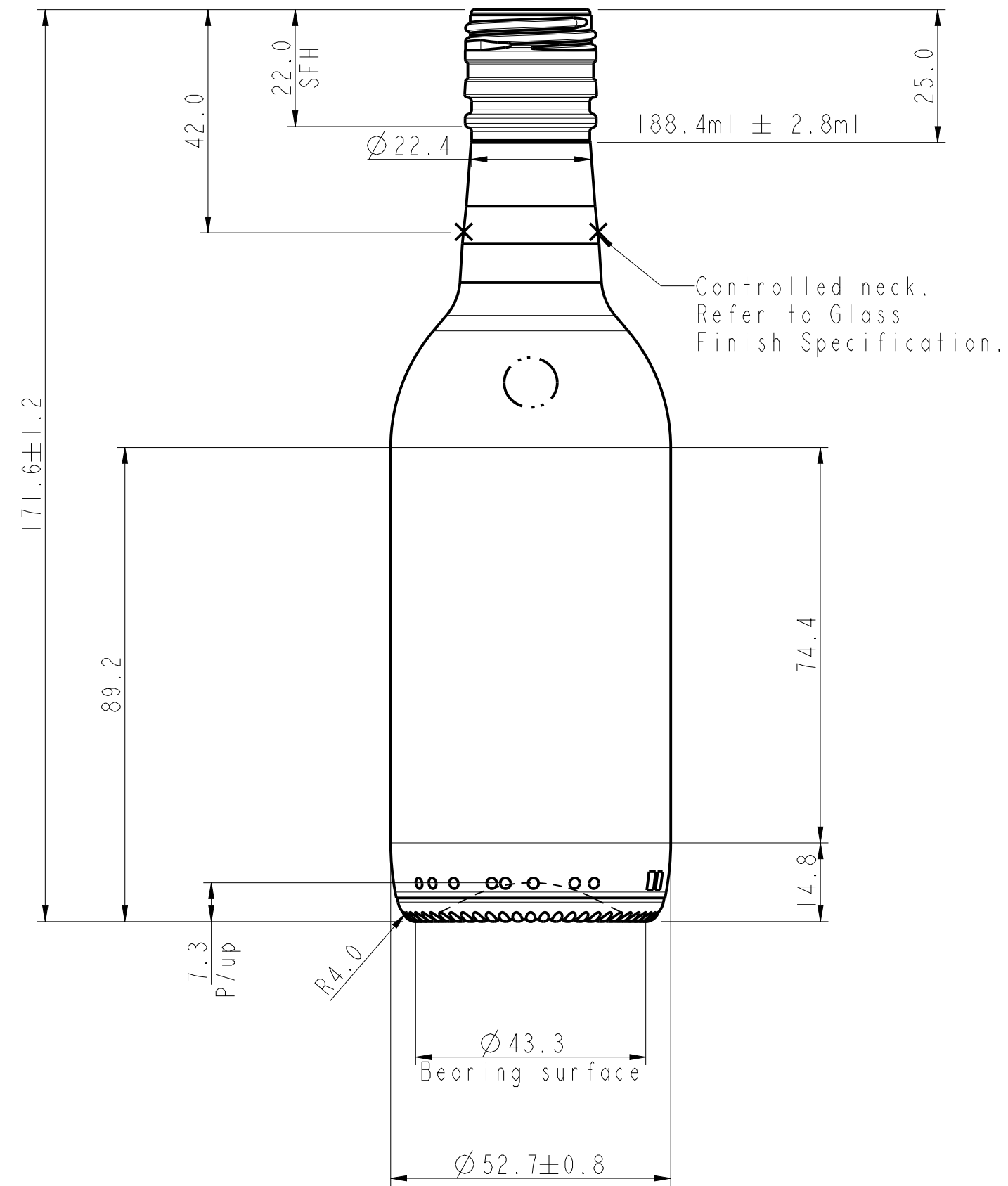




**FOR A BETTER WORLD**



COPYRIGHT VISY GLASS OPERATIONS (AUSTRALIA) PTY LTD ("VISY"). MUST NOT BE COPIED IN WHOLE OR PART WITHOUT WRITTEN PERMISSION FROM VISY. THIS DRAWING CONTAINS CONFIDENTIAL INFORMATION TO VISY AND MUST BE USED ONLY AS DIRECTED BY VISY. THIS DRAWING MUST NOT BE DISCLOSED TO ANYONE WITHOUT THE WRITTEN CONSENT OF VISY. CUSTOMER HEREBY INDEMNIFIES AND HOLDS VISY HARMLESS FOR ANY LOSS, DAMAGE OR LIABILITY WHICH VISY MAY INCUR IF THE DESIGN, MANUFACTURE AND SUPPLY OF THE CONTAINERS IN ACCORDANCE WITH THE INSTRUCTIONS OR REQUIREMENTS OF CUSTOMER INFRINGES THE INTELLECTUAL PROPERTY RIGHTS OF ANY THIRD PARTY.

SPECIFICATION AGREEMENTS ARE BASED ON TOLERANCED DIMENSIONS ONLY. ALL DIMENSIONS IN MILLIMETRES (mm).

<b>B&amp;B EQUIVALENT</b>		30953-WS	
<b>MOULD EQUIPMENT ORDERED BY:</b>			
<b>PLANT</b>			
N.P.D.	PROJECT NUMBER	SCALE	
MPD1283		1:1	
VACUITY	4.0%	TILT ANGLE	
SURFACE TREATMENT	PERMANENT	PREDICTED: 17.95°	
MINIMUM THROUGH BORE	15.5 mm	VERIFIED:	
		BRIMFUL VERIFIED	
		NO	
<b>CONTAINER OVERFLOW CAPACITY ( BRIMFUL )</b>			
196.0ml Approx.			
<b>CONTAINER RATED CAPACITY ( FILL CAPACITY )</b>			
188.4ml ± 2.8ml			
<b>CONTAINER WEIGHT</b>			
150g			
<b>FINISH DESIGNATION</b>		<b>MAX. GAS VOLUME</b>	
25mm x 43 ROTEL WITH BEAD [GRP-14154]		3.0 Gas Vol	
<b>PROCESS</b>	<b>RETURNABLE</b>	<b>DESIGN REF.</b>	
NNPB	NO	01-7185-187	

**Stock**  
187ml Pressure Claret

DESIGNER	YS Ong	DATE	17 Sep 18
CHECKED	T Tran	DATE	17 Sep 18

**DRAWING NUMBER**  
31615-WS

**MOULD NUMBER**  
31615

NUM	DATE	REVISION	DESIGN/CHECK
1	15 Sep 22	Was O-1 A.	SF/GW