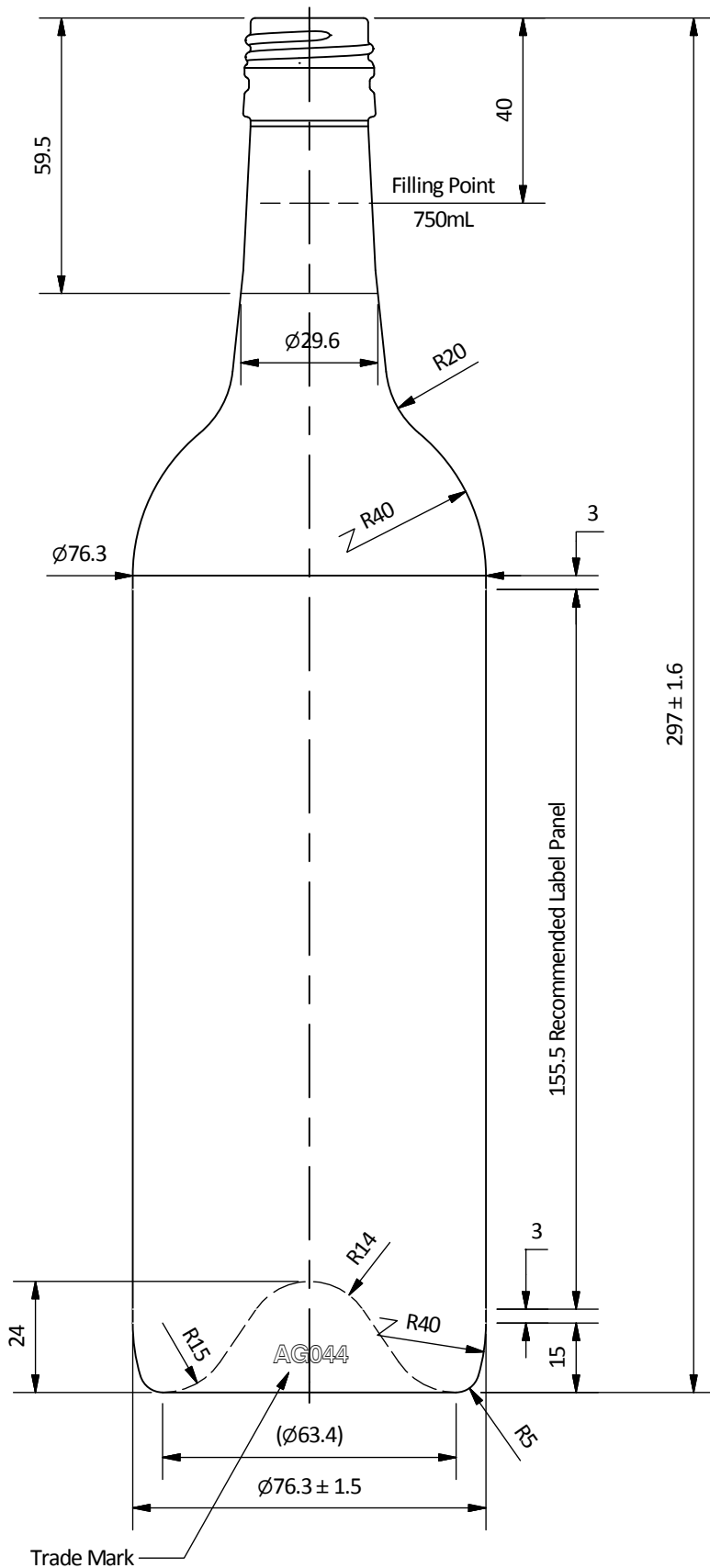
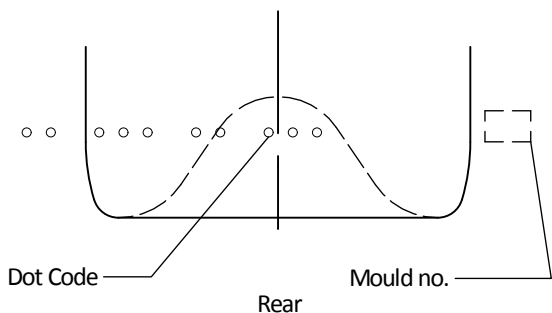
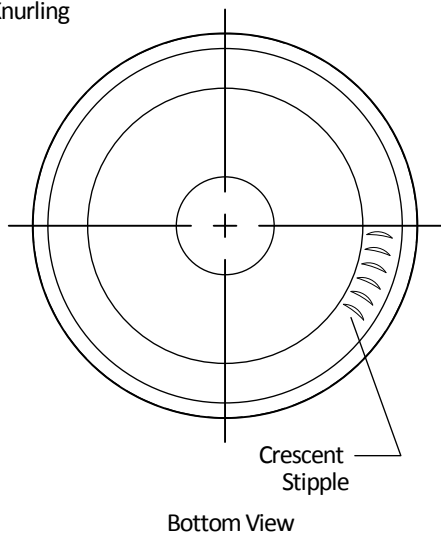


Knurling



CUSTOMER APPROVAL

Cust Name	
Cust Signature	
Approval Date	

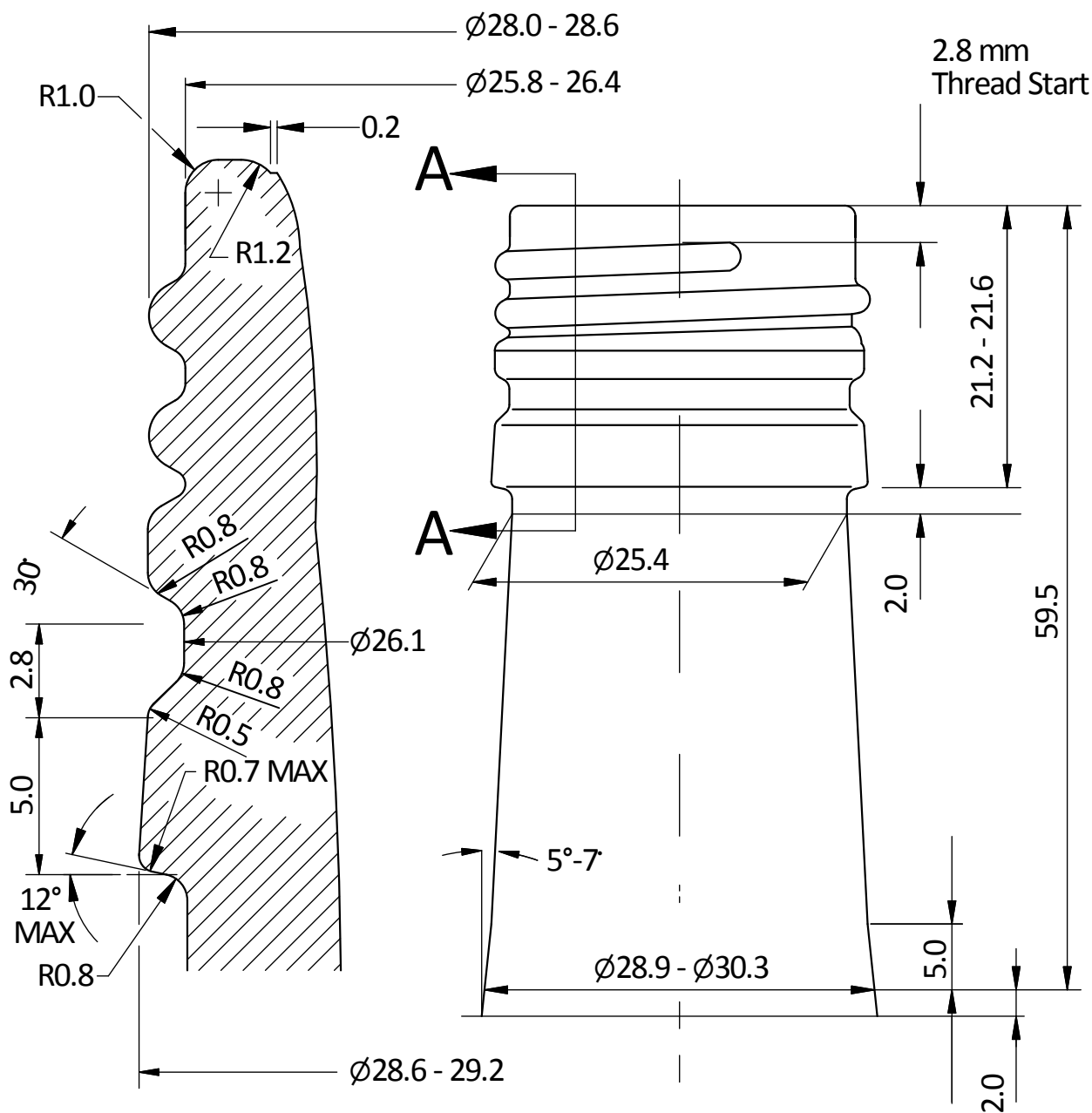
Customer Capacity	750mL
Fill Point Volume	753mL ± 5.5mL Nom @ 30mm
Brimful Volume	762mL Nom
Weight	465g
Other Available Colours (non gas rated)	FG / AG
Tilt Angle	16.6°
Process	BB

The WPA recommend that the label should be positioned at a minimum of 5mm above the bottom of the designated label panel and a minimum of 5mm below the top of the designated label panel with a maximum label height that is equal to or less 10mm than is shown as the designated label panel height on the glass drawing

Customer Specifications - Orora Glass



Number	AG044_R01	E	G.R Removed	13/05/2014
Description	750mL BVS CR Punted Claret	D		14/10/2013
Date & Revision	13/05/2014 Revision E	Initial	Was SD54/08	22/07/2008
Finish	R01 CMP 30x60 BVS	Rev	Description	Date



SECTION A-A

THREAD DETAIL

PITCH 3.63

Minimum through bore diameter is 17.50mm

Customer Specifications - Orora Glass



Finish Number R01 CMP

Description 30 x 60 BVS Finish with take-out groove - Closed Mould Pick-up

Date & Revision 02/09/2013 Rev B