

CUSTOMER APPROVAL

Cust Name	
Cust Signature	
Approval Date	

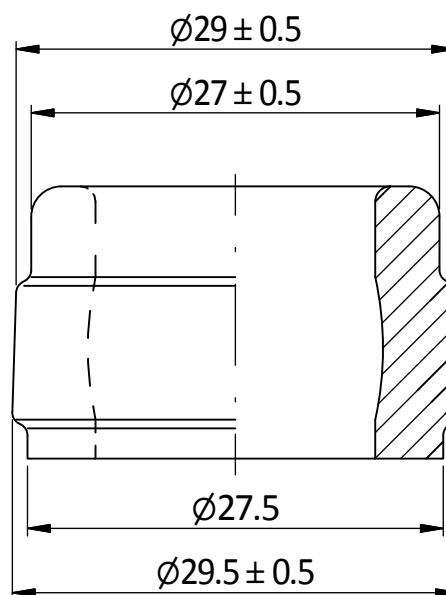
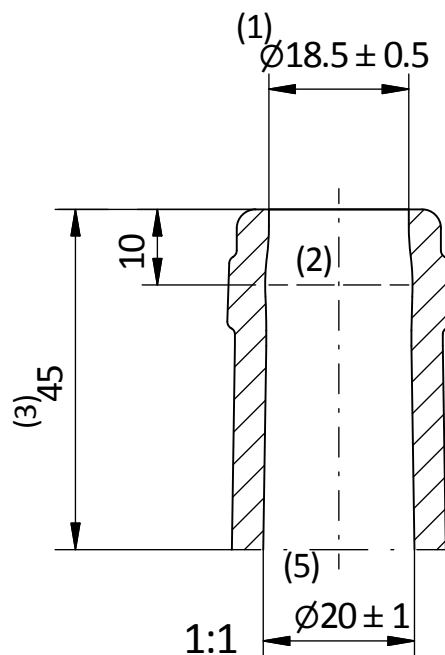
Customer Capacity	750mL
Fill Point Volume	753mL ± 5.5mL Nom @ 63mm
Brimful Volume	772mL Nom
Weight	546g
Max. Gas Volumes	TBA
Tilt Angle	22.6°
Process	BB

The WPA recommend that the label should be positioned at a minimum of 5mm above the bottom of the designated label panel and a minimum of 5mm below the top of the designated label panel with a maximum label height that is equal to or less 10mm than is shown as the designated label panel height on the glass drawing

Customer Specifications - Orora Glass



Number	AG005_C02		
Description	750mL Premium Burgundy	B	13/07/2006
Date & Revision	13/07/2006 Rev B	Initial	
Finish	C02 - Plain Band Cork Mouth	Rev	Description
			Date

**BORE CONTROL**

1. Mean bore entry is measured at 3mm from the top
2. Mean bore diameter at 10 mm is to be no larger than 1.0 mm greater than that at entry
3. Mean diameter at 45 mm is 20 mm \pm 1mm
4. The mean bore diameter for 45 mm must not be smaller than the bore at entry
5. The minimum through bore diameter is 17.5 mm

Customer Specifications - Orora Glass



Finish Number C02

Description Plain Band Cork Mouth Finish

Date & Revision 03/03/2004 Revision A